



FLEET SPEC GUIDE - JOTTOFLEET.COM



For over 20 years, Jotto Desk has offered a variety of high quality products that are specifically engineered and thoughtfully designed to enhance the organization and ergonomics in the “mobile office” ...the fleet vehicle.

To assist fleet workforces in performing their jobs safely & effectively, we design and manufacture high quality laptop mounts, heavy duty laptop mounts, rugged docking stations, mounting stations and SUV/truck bed cargo slides. Jotto Desk continues to redefine the mobile workspace and deliver maximum value.

Our laptop mount products feature a comfortable ergonomic design which allows you to use a laptop, rugged laptop or tablet with ease. The adjustable positioning features allow you to customize placement for optimum performance. Simply pull the laptop toward you to use when safely parked and store the device safely against the dash when driving.

Whether you need a Heavy Duty Computer Mount for rugged terrain, a traditional No Holes Computer Mount with a lockable A-MOD Desktop or any one of our other available products, please know that your Jotto Desk product is designed and manufactured for a custom fit in your vehicle. This ensures a proper product fit and optimum performance for years to come.



✓ **PARK & WORK**

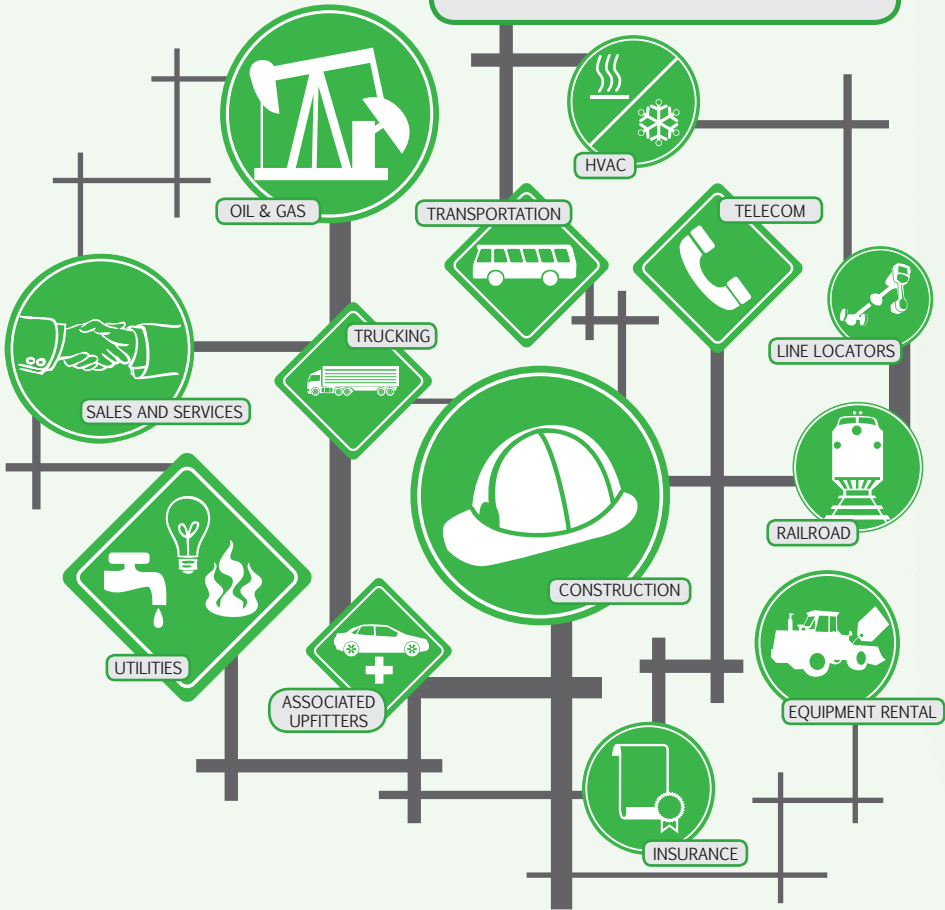


✓ **STAND & WORK**



✓ **STORE & DRIVE**

MARKETS SERVED



WHY JOTTO DESK FOR YOUR FLEET?

HISTORY OF INNOVATION.....	2
MARKETS SERVED.....	3
A-MOD DESKTOPS.....	4-5
NO HOLES MOUNTS WITH A-MOD DESKTOPS.....	6-7
TRADITIONAL LAPTOP MOUNTS.....	8-9
HEAVY DUTY COMPUTER MOUNTS.....	10-11
DOCKING STATIONS/MOUNTING STATIONS.....	12-14
JOTTO-CARGO SLIDE.....	15

JOTTOFLEET.COM - 877-455-6886

A-MOD DESKTOPS

ADJUSTABLE MOBILE OPERATIONS DESKTOP

CUSTOM FIT AND STRENGTH YOU CAN DEPEND ON.

A Jotto Desk Laptop Mount featuring the new A-MOD Desktop is the ultimate desktop solution to secure a laptop computer in a mobile environment. The fully adjustable A-MOD Desktop features a lightweight, yet rugged lockable design with superior ergonomics.



A-MOD Desktops feature a lightweight, yet rugged design, incorporating both high strength aluminum and composite materials. Conversely, we have mixed in steel where there is no substitute to the strength, structure and ruggedness that it provides.



All of the Side Clamps and Rear Clamps, which hold down the laptop, are made of case-hardened steel and for our lock we chose a high security, solid brass tubular lock. There is no real security when a lock can simply be jimmied or the clamps can be easily bent out and the laptop stolen. With this mixture of elements and the other changes, we are confident that the A-MOD Desktops provide the most rugged, safest and most flexible universal desktop to secure a laptop computer in a mobile environment.



Jotto Desk customers past, present and future will be able to enjoy the benefits of the A-MOD Desktops. Older Jotto Desk laptop mounts that utilized the ACD Desktop can be retrofitted with these new A-MOD desktops simply by ordering the part numbers listed below...kind of like putting a new engine in an older car. Present customers that are

buying our laptop mounts with the old desktop can experience another level in security, convenience and adjustability with the A-MOD. Future customers that desired a locking mechanism, not offered on the old desktop, will now be able to evaluate the total Jotto Desk solution. The combination of our Laptop Mount price, ergonomics, quality and ease of installation with the New A-MOD Desktop make Jotto Desk the easy choice as your laptop mounting solution.

A-MOD STANDARD (w/GK PLATE)

450-4143

Laptop Fit Dimensions:

Width: 11.25" to 13.625"

Depth: 9.25" to 11" with extensions

Height Tall Clamp: 1" to 2.25"

A-MOD XL (w/GK PLATE)

450-4144

Laptop Fit Dimensions:

Width: 13.5" to 16"

Depth: 9.25" to 11" with extensions

Height Standard Clamp: 0.625" to 1.25"



THE A-MOD DESKTOP EASILY ADJUSTS TO ENSURE A SECURE FIT FOR YOUR LAPTOP.



NO HOLES COMPUTER MOUNTS

FEATURING THE A-MOD DESKTOP

NO HOLES INSTALLATION AND ERGONOMIC DESIGN

The Jotto Desk Computer Mount featuring the A-MOD Desktop is a No Holes drilled, ergonomic, multi-adjustable swing arm desk used as a platform for mobile professionals in fleets of all professions to secure and comfortably use a laptop computer. A Jotto Desk Laptop Mount featuring the new A-MOD Desktop is an ideal solution while on the road. This fully adjustable desktop features a lightweight, yet rugged lockable design with superior ergonomics. See pages 4-5 for more information on the A-MOD Desktop.

The No Holes Computer Mount can be ordered with an A-MOD desktop or other solutions including those to secure docking stations, laptop mounting stations or tablet mounting stations.

ORDER
A-MOD

FORD

FUSION (2013+) 425-5121/4143
FOCUS (2014+) 425-5627/4143
ESCAPE (2013+) 425-5020/4143
EXPLORER (2012+) 425-5603/4143
EXPEDITION (2007+) 425-5454/4143
F150 (2015+) (W/OEM CONSOLE ONLY) 425-5046/4143
F150 (2015+) (40/20/40 SEAT ONLY) 425-5632/4143
F250 - 550 (2011-2016) 425-5586/4143
F250 - 350 (2017+) 425-5667/4143
TRANSIT (2015+) 425-5626/4143
TRANSIT CONNECT (2014+) 425-5624/4143

CHEVY/GMC

MALIBU CLASSIC LIMITED (2016) 425-5648/4143
MALIBU NEXTGEN (2016+) 425-5588/4143
COLORADO/CANYON (2015+) 425-5638/4143
SILVERADO/SIERRA 1500 (2014+) 425-5596/4143
TAHOE/SUBURBAN (2015+) 425-5596/4143
SILVERADO/SIERRA 2500-3500 (2015+) 425-5596/4143
TRAVERSE (2010+) 425-5050/4143
CITY EXPRESS (2015+) 425-5651/4143
EXPRESS/SAVANA (2003+) 425-5466/4143

DODGE

JOURNEY (2013+) 425-5005/4143
DURANGO (2011+) 425-5600/4143
RAM 1500, 2500 AND 3500 (2009+) 425-5575/4143
RAM PROMASTER (2014+) 425-5285/4143
RAM PROMASTER CITY (2015+) 425-5652/4143
GRAND CARAVAN (2008+) 425-5129/4143
SPRINTER (2007+) BUCKET SEAT ONLY 425-5456/4143

*IF YOU DETERMINE THAT YOU NEED THE A-MOD XL DESKTOP, SIMPLY ORDER THE 425-****/4144. (THE BASE PART NUMBER FOR YOUR VEHICLE PLUS THE DESKTOP IDENTIFIER OF 4144) OR CONTACT YOUR SALES MANAGER.

PRODUCT FEATURES:



- A** - A-MOD Desktop
- B** - Articulated Swing Arm
- C** - Ratchet Handle
- D** - Telescoping Rod
& Stand Assembly
- E** - No Holes Mounting Base



A.) A-MOD DESKTOP

Lightweight, yet rugged, this desktop secures your laptop computer at your fingertips. Customize the fit for your laptop and know that the locking mechanism ensures a secure fit.

B.) ARTICULATED SWING ARM

Positions your laptop right where you need it most. Work comfortably from the driver or passenger seat or even while standing. Store against the dash while driving.

C.) RATCHET HANDLE

Allows simple hand motions for quick lock and release of desktop and articulated arm positioning.

D.) TELESCOPING ROD & STAND ASSEMBLY

Makes height adjustment easy and sure. Stand removes in seconds when desk isn't needed.

E.) MOUNTING BASE

Provides the sturdy foundation from which the Jotto Desk is built. Installs in minutes with simple hand tools.

ADDITIONAL FEATURES:

- Heavy gauge steel for long term durability
- Black powder coat finish prevents rust
- Installs in minutes - no drilling required

NO HOLES COMPUTER MOUNTS

FEATURING THE **CABLE-DOCK®** DESKTOP

TRADITIONAL DESKTOP WITH NO HOLES INSTALLATION

The traditional Jotto Desk Computer Mount featuring the Cable-Dock® Desktop is a No Holes drilled, ergonomic, multi-adjustable swing arm desk used as a platform for mobile professionals in fleets of all professions to secure and comfortably use a laptop computer.

The Cable-Dock® securing system uses two nylon-coated stainless steel cables that wrap up and over the keyboard section of the computer for a firm and positive grip. The “Original” articulated swing arm enables you to pull the desktop over for comfortable operation, reducing back strain. Overall design allows you to sit and work comfortably in driver or passenger seat and store against dash while driving.

ORDER
CABLE-DOCK®

FORD

FOCUS (2014+) 425-5627/5215
FUSION (2013+) 425-5121/5215
ESCAPE (2013+) 425-5020/5215
EXPLORER (2012+) 425-5603/5215
EXPEDITION (2007+) 425-5454/5215
F150 (2015+) (W/OEM CONSOLE ONLY) 425-5046/5215
F150 (2015+) (40/20/40 SEAT ONLY) 425-5632/5215
F250 - 550 (2011-2016) 425-5586/5215
F250 - 350 (2017+) 425-5667/5215
TRANSIT (2015+) 425-5626/5215
TRANSIT CONNECT (2014+) 425-5624/5215

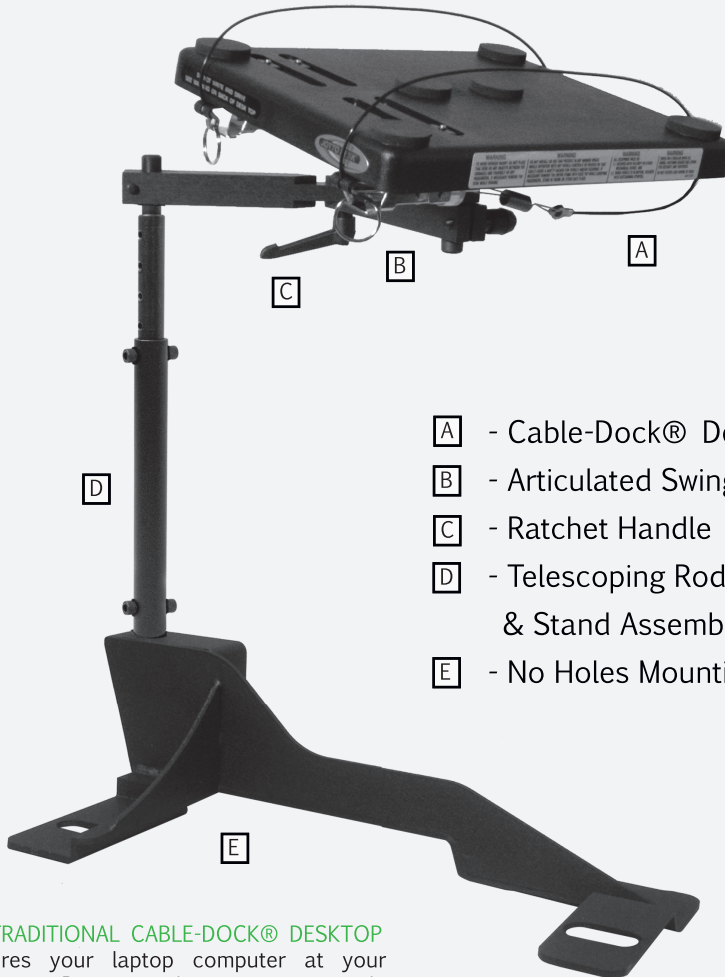
CHEVY/GMC

MALIBU NEXTGEN (2016+) 425-5588/5215
COLORADO/CANYON (2015+) 425-5638/5215
SILVERADO/SIERRA 1500 (2014+) 425-5596/5215
TAHOE/SUBURBAN (2015+) 425-5596/5215
SILVERADO/SIERRA 2500-3500 (2015+) 425-5596/5215
TRAVERSE (2010+) 425-5050/5215
CITY EXPRESS (2015+) 425-5651/5215
EXPRESS/SAVANA (2003+) 425-5466/5215

DODGE

JOURNEY (2013+) 425-5005/5215
DURANGO (2011+) 425-5600/5215
RAM 1500, 2500 AND 3500 (2009+) 425-5575/5215
PROMASTER (2014+) 425-5285/5215
PROMASTER CITY (2015+) 425-5652/5215
GRAND CARAVAN (2008+) 425-5129/5215
SPRINTER (2007+) BUCKET SEAT ONLY 425-5456/5215

PRODUCT FEATURES:



- A** - Cable-Dock® Desktop
- B** - Articulated Swing Arm
- C** - Ratchet Handle
- D** - Telescoping Rod & Stand Assembly
- E** - No Holes Mounting Base

A.) TRADITIONAL CABLE-DOCK® DESKTOP

Secures your laptop computer at your fingertips. Rotates with an ergonomic tilt. Securing the laptop is a snap with one-hand operation for securing and removing the computer.

B.) ARTICULATED SWING ARM

Positions your laptop right where you need it most. Work comfortably from the driver or passenger seat or even while standing. Store against the dash while driving.

C.) RATCHET HANDLE

Allows simple hand motions for quick lock and release of desktop and articulated arm positioning.

D.) TELESCOPING ROD & STAND ASSEMBLY

Makes height adjustment easy and sure. Stand removes in seconds when desk isn't needed.

E.) MOUNTING BASE

Provides the sturdy foundation from which the Jotto Desk is built. Installs in minutes with simple hand tools.

ADDITIONAL FEATURES:

- Heavy gauge steel for long term durability
- Black powder coat finish prevents rust
- Installs in minutes - no drilling required

HEAVY DUTY COMPUTER MOUNTS

FEATURING THE A-MOD DESKTOP

OUR STRONG BASE AND RUGGED STAND WORK
HARD FOR HEAVY DUTY FLEETS AND ROUGH ROADS

HD Mounts offer the next level in ruggedness and durability...making this the premium solution for securing a laptop in a fleet vehicle. They feature a heavy duty vehicle specific mounting base, rugged pole/stand for height adjustment, swing arm for horizontal adjustment, a tilt/swivel plate and are capped off with our new A-MOD Desktop.



ORDER
HEAVY DUTY

FORD

F150 (2015+) [425-5104/4138](tel:425-51044138)
F250 - 550 (2015-2016) [425-5649/4138](tel:425-56494138)
F250 - 350 (2017+) [425-5669/4138](tel:425-56694138)

CHEVY/GMC

TAHOE (2015+) [425-5646/4138](tel:425-56464138)
(NOT FOR VEHICLES WITH OEM CONSOLE)
SILVERADO (2015+) [425-5646/4138](tel:425-56464138)
(NOT FOR VEHICLES WITH OEM CONSOLE)

DODGE

RAM 1500, 2500 AND 3500 (2015+) [425-5107/4138](tel:425-51074138)

PRODUCT FEATURES:

- A** - A-MOD Desktop
- B** - Swing Arm
- C** - Ratchet Handle
- D** - Telescoping Rod & Stand Assembly
- E** - Heavy Duty Mounting Base



A.) A-MOD DESKTOP

Lightweight, yet rugged, this desktop secures your laptop computer at your fingertips. Customize the fit for your laptop and know that the locking mechanism ensures a secure fit.

B.) SWING ARM

Positions your laptop right where you need it most. Work comfortably from the driver or passenger seat.

C.) RATCHET HANDLE

Allows simple hand motions for quick lock and release of desktop and swing arm positioning.

D.) HEAVY DUTY TELESCOPING ROD & STAND ASSEMBLY

Rugged and strong, this extra thick rod/stand combo can handle even tough terrains with ease. Adjustable height for perfect positioning.

E.) HEAVY DUTY MOUNTING BASE

Provides the rugged and sturdy foundation from which the Jotto Desk is built. Durable 7 Gauge steel with a powder coat finish.



DOCKING STATIONS



Jotto Desk has done it again with the Kodiak Mobile Docking Station. We have taken it to the next level by making some key internal changes to our CF31 docking station. Now it is fully compatible with the Panasonic CF31/30/29/28 AND the Getac B300, which makes the CF-31 iDock is perfect for mixed fleets. Additionally, this docking station includes the 120 watt Power Supply and Power Management Circuitry as Standard Features...at no additional cost.

PANASONIC CF31/GETAC B300 IDOCK DOCKING STATION

STANDARD DOCKING STATION
450-4101

w/ SINGLE WIRELESS PASSTHROUGH
450-4102

w/ DUAL WIRELESS PASSTHROUGH
450-4103



STANDARD FEATURES: INCLUDED AT NO EXTRA COST

- (5) USB 2.0 PORTS
- 120 WATT POWER SUPPLY
- (1) ETHERNET PORT
- SURGE SUPPRESSION
- REVERSE VOLTAGE PROTECTION
- LOW VOLT MONITORING
- AUTO ACTIVATION & SHUTDOWN
- TRANSIENT VOLTAGE PROTECTION
- USER CONTROLLED TIMED SHUTDOWN
- SLAM LOCK - THEFT PREVENTION

MIL-STD-810F: VIBRATION TESTING: MIL-STD 810F
514.5 COMPOSITE WHEELED VEHICLE



NO POWER SUPPLY NEEDED



NO CHARGE GUARD NEEDED

The CF53 docking station is based on the similar design as our ever popular CF31 docking station. The CF53 iDock includes a proven tough, rugged design and a new robust docking interface that is designed with a docking mechanism that gives the user the option to leave the docking station unlocked for rapid undocking.



KDCF53 IDOCK DOCKING STATION

450-4111



STANDARD FEATURES: INCLUDED AT NO EXTRA COST

- (6) USB 2.0 PORTS (5 REAR, 1 FRONT)
- 120 WATT POWER SUPPLY
- (1) ETHERNET PORT
- LOW VOLT MONITORING
- AUTO SHUTDOWN TIMER
- SURGE SUPPRESSION
- AVALANCHE VOLTAGE PROTECTION
- 4 LED INDICATORS (FOR FIELD TROUBLESHOOTING)

The new KDCF-53 iDock's "auto dock" feature automatically latches the docking station so you no longer have to use the key to lock the computer into the dock. The key is just a preventive step to keep it locked from theft. The new CF-53 iDock has the smallest footprint in the industry, smaller than the laptop itself -- making it very easy to mount in the vehicle.

This unit is constructed of welded steel and features our internal port replicator & internal "intelligent" power management circuitry. All functions can be controlled and monitored at the tactile membrane control panel located at the front of the docking station. Surge suppression, avalanche voltage protection, reverse voltage protection, emi filtering, transient voltage protection, low voltage monitoring, auto activation and shutdown, user controlled timed shutdown are standard. This docking station is built to MIL-STD 810F standards.

MOUNTING STATIONS

TOUGHPAD FZ-G1 MOUNTING STATION

450-4136

ADJUSTABLE FOR VIEWING IN
LANDSCAPE OR PORTRAIT MODE.



TOUGHPAD FZ-A1 MOUNTING STATION

450-4114

ADJUSTABLE FOR VIEWING IN
LANDSCAPE OR PORTRAIT MODE.



IPAD MOUNTING STATION

450-4131

ADJUSTABLE FOR VIEWING IN
LANDSCAPE OR PORTRAIT MODE.

FITS IPAD/2/3/AIR MODELS WHEN MOUNTED
IN AN OTTERBOX OR SIMILAR CASE.



SURFACE PRO MOUNTING STATION

450-4128

HINGED DESIGN ALLOWS DEVICE FOLDING.
REQUIRES A SEMI-RUGGED CASE SUCH AS
THE UAG SURFACE PRO 3 CASE.



UNIVERSAL TABLET MOUNTING STATION

450-4119

ADJUSTABLE TO FIT
TABLETS FROM
7.18-8.3" W
X 9.84-12.5" H
X .84" DEEP

ADJUSTABLE
FOR VIEWING IN
LANDSCAPE OR
PORTRAIT MODE.



CARGO MANAGEMENT SOLUTIONS

FEATURING THE JOTTO-CARGO SLIDE™

Enjoy easy access to cargo in a pickup truck OR SUV on the job site, football field or grocery store parking lot. Get steel strength with the lightweight beauty of anodized aluminum. Constructed with aircraft grade aluminum, our patent pending AlumaTrack System provides strength and precise performance.

LIVE, WORK, PLAY!
LIFE AT YOUR FINGERTIPS.



JOTTOFILET.COM - 877-455-0386

*OPTIONAL ALUMA PLANK FLOORING SHOWN.



LIVE



WORK



PLAY

YEAR	MODEL-BED LENGTH	WEIGHT RATING	DIMEN- SIONS	PART NUMBER
CHEVY/GMC TRUCK				
'02+	AVALANCHE	800LB	63"X49"	4109057
'04+	CREW CAB 5.75'	800LB	65"X49"	4109040
'99+	SWB 6.5'	800LB	76"X49"	4109046
'07-14	TAHOE	800LB	44"X46"	4109098
'07-14	SUBURBAN	800LB	63"X46"	4109099
'99+	SWB 6.5'	1200LB	76"X49"	4109055
'99+	LWB 8'	1200LB	95"X49"	4109037
'99+	LWB 8'	2000LB	95"X49"	4109071
DODGE TRUCK				
'02+	FULL SIZE 6.3'	800LB	74"X49"	4109038
'99+	FULL SIZE 8'	1200LB	95"X49"	4109037
'99+	FULL SIZE 8'	2000LB	95"X49"	4109071
NISSAN TRUCK				
'04+	TITAN 5.7'	800LB	65"X49"	4109040
'04+	TITAN 6.7'	800LB	76"X49"	4109046
'04+	TITAN 6.7'	1200LB	76"X49"	4109055

*FLOORING REQUIRED: ORDER ALUMA PLANK FLOORING OR PROVIDE YOUR OWN PLYWOOD FLOORING

YEAR	MODEL-BED LENGTH	WEIGHT RATING	DIMEN- SIONS	PART NUMBER
FORD TRUCK				
'99+	FULL SIZE 5.5'	800LB	65"X49"	4109040
'99+	FULL SIZE 6.5'	800LB	76"X49"	4109046
'99+	FULL SIZE 6.5'	1200LB	76"X49"	4109055
'99+	F250/350 6.75'	1200LB	80"X49"	4109067
'99+	F250/350 6.75'	2000LB	80"X49"	4109076
'99+	FULL SIZE 8'	1200LB	95"X49"	4109037
'99+	FULL SIZE 8'	2000LB	95"X49"	4109071
'11-13	TRANSIT CONNECT (FULL)	800LB	63"X46"	4101300
'11-13	TRANSIT CONNECT (HALF)	800LB	44"X46"	4101301
TOYOTA TRUCK				
'00-06	TUNDRA 6.2'	800LB	74"X49"	4109038
'07+	TUNDRA 6.5'	800LB	76"X49"	41090461
'07+	TUNDRA 6.5'	1200LB	76"X49"	4109055T
'07+	TUNDRA 8'	1200LB	95"X49"	4109037T
'00-06	TUNDRA 8'	1200LB	95"X49"	4109037
'07+	CREW MAX 5.5'	800LB	63"X49"	4109088T

YEAR	MODEL-BED LENGTH	WEIGHT RATING	DIMEN- SIONS	PART NUMBER
CHEVY • MID SIZED TRUCK				
'04+	COLORADO-REG	1000LB	72"X40"	4109128
'04+	COLORADO-EXT	1000LB	72"X40"	4109128
'04+	COLORADO-CREW	1000LB	58"X40"	4109130
FORD • MID SIZED TRUCK				
'03+	RANGER - REG CAB	1000LB	72"X40"	4109128
'03+	RANGER - SUPER	1000LB	72"X40"	4109128
DODGE • MID SIZED TRUCK				
'05+	DAKOTA - REG CAB	1000LB	72"X40"	4109128
'05+	DAKOTA - CREW	1000LB	58"X40"	4109130
NISSAN • MID SIZED TRUCK				
'05+	FRONTIER - KING	1000LB	72"X40"	4109128
'05+	FRONTIER - CREW	1000LB	58"X40"	4109130
'05+	FRONTIER - CREW	1000LB	72"X40"	4109128
TOYOTA • MID SIZED TRUCK				
'05+	TACOMA - REG CAB	1000LB	72"X40"	4109128
'05+	TACOMA - ACCESS	1000LB	72"X40"	4109128
'05+	TACOMA - DOUBLE	1000LB	58"X40"	4109130

ACCESSORIES			
OPTIONAL FLOORING			
ALUMA PLANK	44"X46"	4101256	
ALUMA PLANK	58"X40"	4109799	

ALUMA PLANK	63"X46"	4101255	
ALUMA PLANK	63"X49"	4109064	
ALUMA PLANK	65"X49"	4109060	
ALUMA PLANK	72"X40"	4109798	

ALUMA PLANK	74"X49"	4109075	
ALUMA PLANK	76"X49"	4109061	
ALUMA PLANK	80"X49"	4109073	
ALUMA PLANK	95"X49"	4109062	

BASKETS & TIE DOWNS		
DUAL BASKETS	48"	4109534
SIDE BASKETS	24"	4109592
TIE DOWNS	SET OF 4	4109887
CARGO BARRIER BRACKET W/TIE DOWNS	SET OF 2	4109888

ALUMA PLANK FLOORING NOT AVAILABLE FOR HEAVY DUTY. BASKETS NOT AVAILABLE FOR CHEVY TAHOE, AVALANCHE, SUBURBAN, OR MID SIZED TRUCKS.

GOJOTTO.COM

PERFORMANCE MATTERS

MOBILE OFFICE SOLUTIONS

A-MOD DESKTOPS

**NO HOLES
COMPUTER MOUNTS**

**HEAVY DUTY
COMPUTER MOUNTS**

DOCKING STATIONS

MOUNTING STATIONS

JOTTO-CARGO SLIDE™