

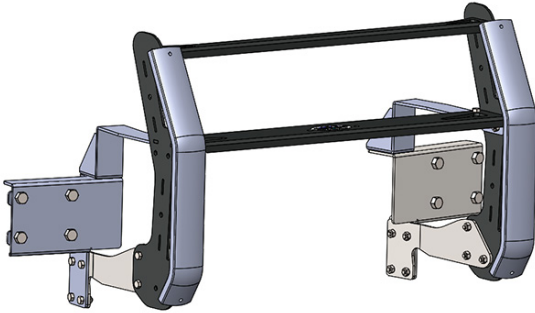



# Installation Instructions


## '15+ Charger


### Push Bumper

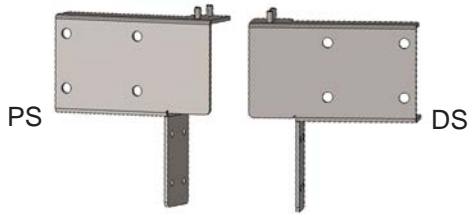
475-1004



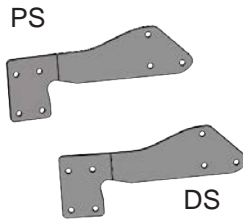
 (8) 0.5 x 13 x1x1 Hex Bolt

 (18) 5/16-18 x 3/4 Hex Bolt

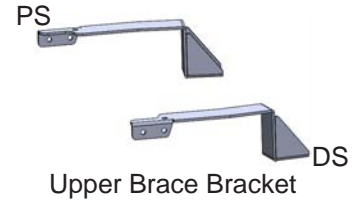
 (24) 5/16-18 Nylock Nut



Mounting Bracket



Lower Brace Bracket



Upper Brace Bracket



Push Bumper  
Installation Tool



(4) Backing Plate



Universal Sedan  
Vertical Bumper Assembly



Remove 12 plastic retainer clips and 2-10mm bolts from top of OEM bumper.



Remove 6 screws using a 7 mm socket from the underside of OEM bumper.



Remove 4 retainer clips from plastic wheel well liner. Pull liner away to expose 2 - 10 mm bolts per side.



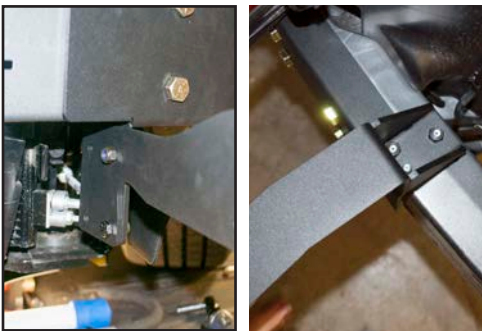
Remove 4 - 10 mm bolts per side from lower air duct on inside of wheel.



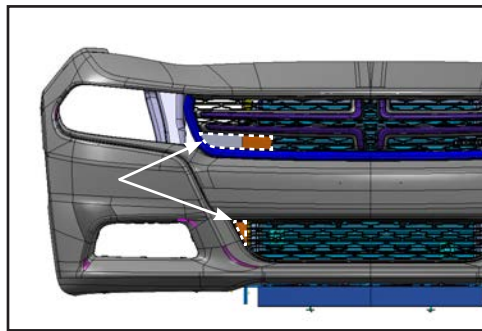
Pull OEM bumper away and unplug lights.



Using provided installation tool, slide backing plate onto tool. Then proceed to insert backing plate/tool into bumper frame. Position brackets center most in the slots they go into. Line up with holes on mounting bracket. Secure with (4 ea.) 1" hex head bolts per side.



Attach upper and lower brace brackets onto mounting plate. Make sure to attach lower braces to inside edge of mounting bracket.



Using template provided cut grilles to allow extension brackets to pass through. Reinstall back into OEM bumper.

*\*Template Located on Rear Page\**



To test the proper alignment of the brackets, temporarily install the universal vertical bumper assembly. Once confirmed, tighten all brackets and remove the universal vertical bumper assembly. Now reinstall OEM bumper by reversing steps 1-5 of these instructions.



Finish by reinstalling universal vertical bumper assembly to upper and lower brace brackets.

## **WARNING**

**Hand-tighten 5/16 nylock nuts onto 5/16-18 studs. Torque nylock nuts on 5/16-18 studs to 10 ft-lbs (foot-pounds.)**

**NOTICE: Over-torqueing nuts onto 5/16-18 studs will cause stud failure.**

If you have questions or need further assistance please call Technical Support: 1.877.455.6886



209 W. EASY ST., ROGERS, AR 72756 • [www.EVERYTHINGBUTLIGHTS.com](http://www.EVERYTHINGBUTLIGHTS.com) • 7/15

Jotto Desk® is a patented product and Registered Trademark of Assembled Products™ Corporation.  
Specifications subject to change without notice.



