



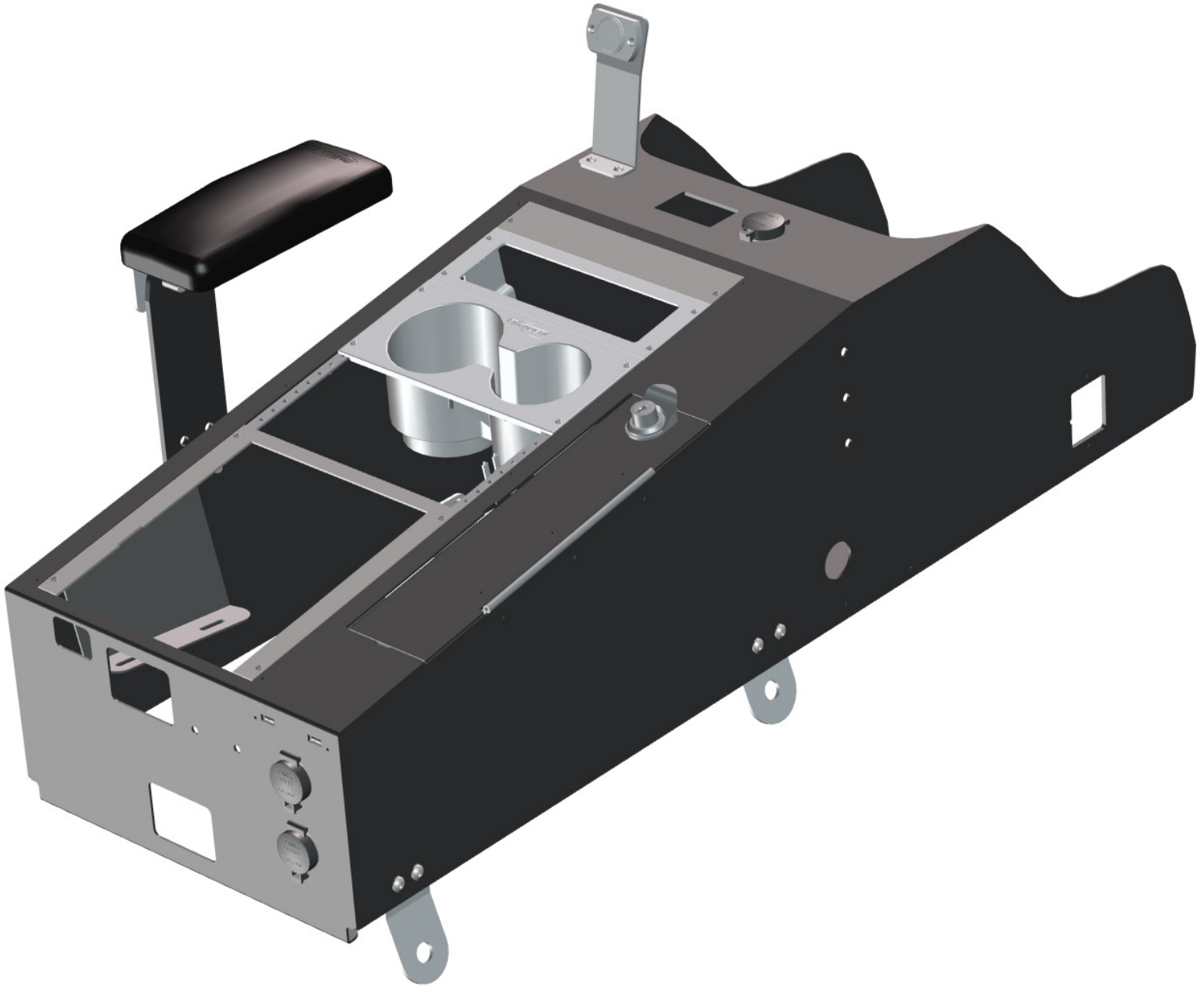
CONTOUR CONSOLE

WITH LOCKING LID STORAGE

CHEVY TAHOE 2021+

Installation Instructions

425-6472

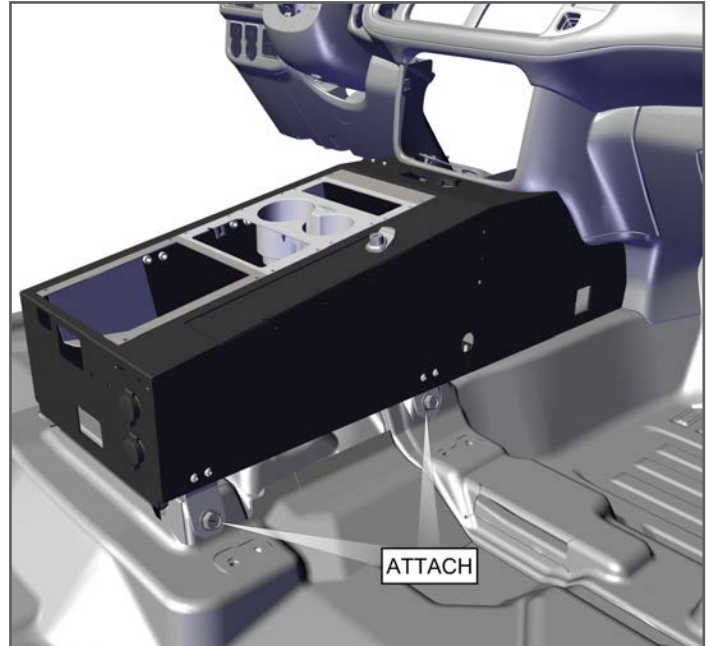


GM provides (4) bolt locations in the floor pan of the vehicle to secure the “center seat”. If you ordered your vehicle with the center seat – simply remove the center seat and reuse the OEM 12MM bolts to secure the mounting legs (floor plate or console).

However, if you chose the “seat delete” option when ordering the 2021 Tahoe, the (4) OEM bolts will not be available, and the (4) bolt locations will be unthreaded arrest welded bungs. Jotto Desk provides 1/2”-13 x 1.5” long TCS bolts (4) for securing the mounting legs (floor plate or console). It is recommended that the four unthreaded bungs first be drilled out with a 27/64 drill bit, in order to properly size the hole for the 1/2” thread cutting bolts. Then, using a 1/2” Drive Impact (air if available) and cutting oil, drive the TCS bolts into the bungs.

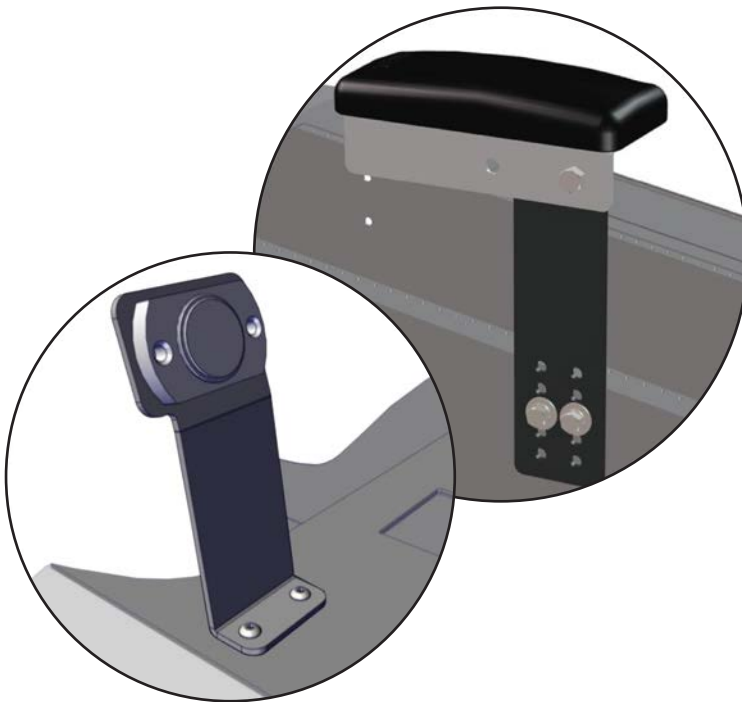
Recommend removing OEM Driver and Passenger Front Seats for easier installation.

1. With a pry tool - remove OEM USB/Line-in housing from dash. Disconnect cable and set aside for relocation into Contour Console. Pull cables out through OEM dash structure.



2. Outside of vehicle, loosely attach Rear Legs, Front P/S, and Front D/S Legs with provided hardware. Install Contour Console into the vehicle from the rear seat area, sliding forward until mating up with OEM dash structure.
3. Adjust Mounting Legs as needed - to position over OEM mounting points and tighten legs to Contour Console. Secure Mounting Legs to OEM Substructure using OEM 12MM bolts or provided 1/2" - 13 x 1.5 TCS Bolts.

NOTE: Indicate the correct leg for the passenger front with the cut out "P".



4. Attach the Mic Clip and the Arm Rest at the desired height to the Console with provided hardware.
5. Relocate OEM USB/Line-in housing to Contour Console and re-connect previously removed cables.

If you have questions or need further assistance please call Technical Support: 1.877.455.6886



209 W. EASY ST., ROGERS, AR 72756 • www.JOTTOPUBLICSAFETY.com • 7/22

Jotto Desk® is a patented product and Registered Trademark of Assembled Products™ Corporation.
Specifications subject to change without notice.