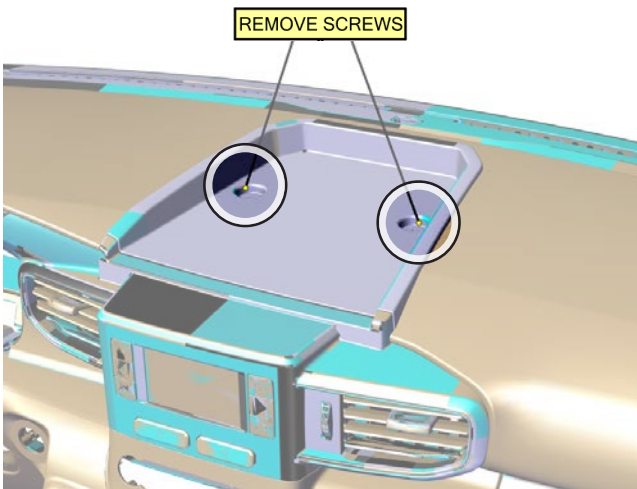




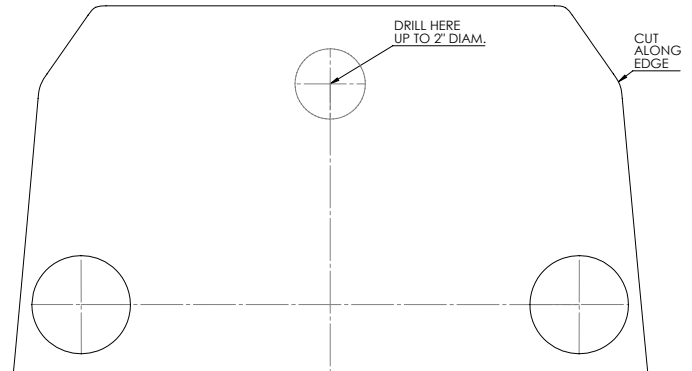
425-6511
 Ford PI Utility (2020+)
 3" Dash Mount Contour Console

Installation Instructions

If you have questions or need further assistance
 please call Technical Support: 1.877.455.6886



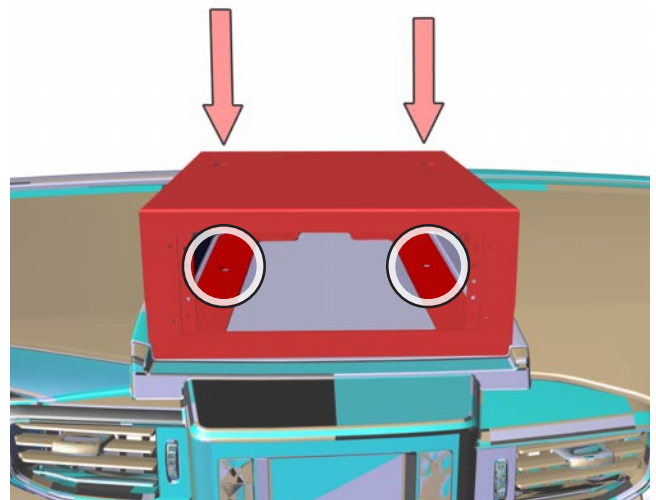
1. Remove the (2) OEM 7 mm screws located at the top of the dash.
2. Gently pry and pop out the trim section.



3. Print out the 1:1 Drill template to make a hole for routing the wire harness. (see next page for full size)

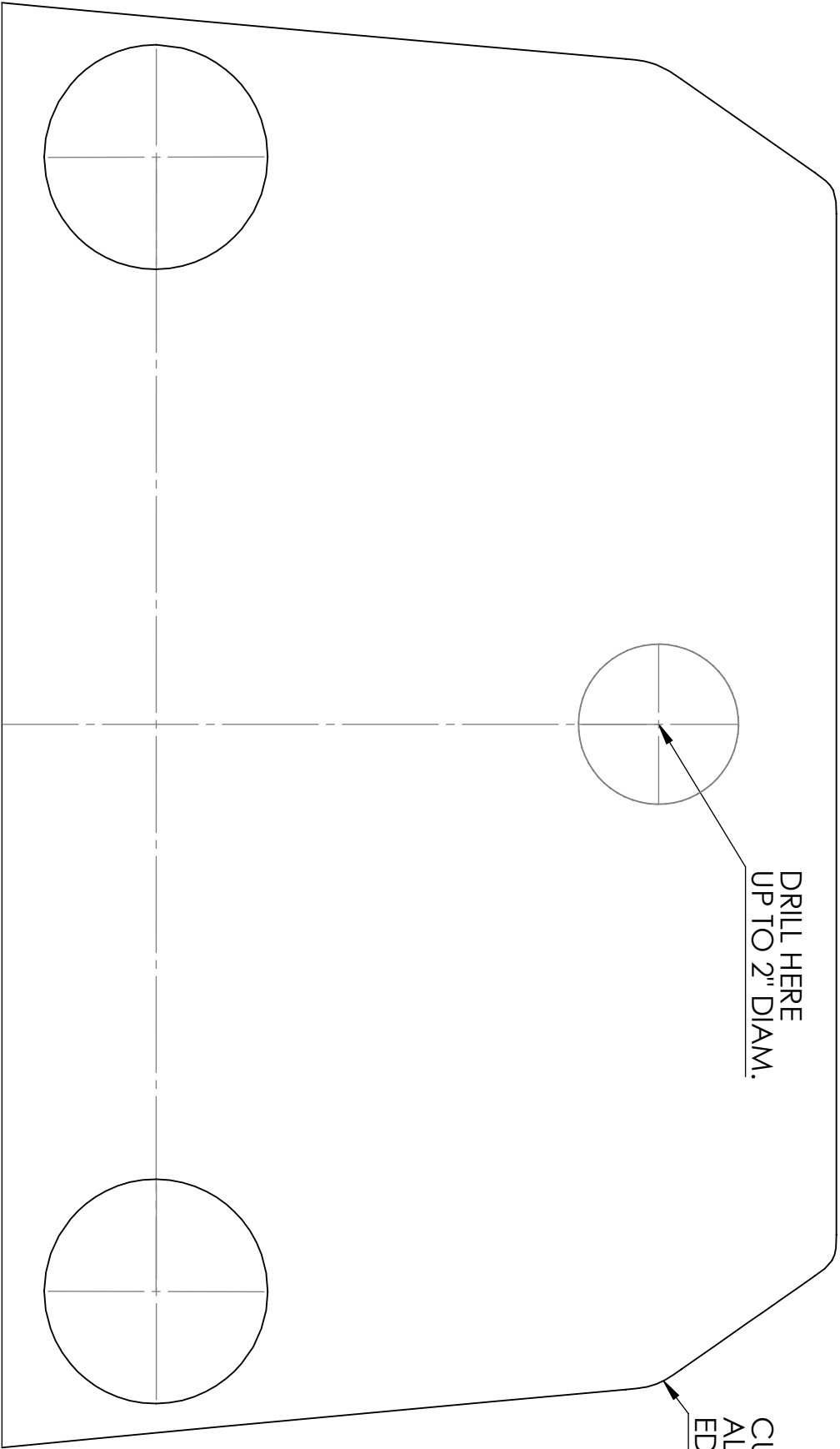


4. Use the factory hole to route the harness.
5. If a bigger hole is required, make shallow cuts around the OEM hole with a Dremel.



6. Secure the Console in place by replacing the 7 mm screw.
7. Fully tighten from the access holes located on top of the Console.





DRILL HERE
UP TO 2" DIAM.

CUT
ALONG
EDGE