



DGS/MAX DEPTH CONTOUR CONSOLE

(DUTY GEAR SAVER)

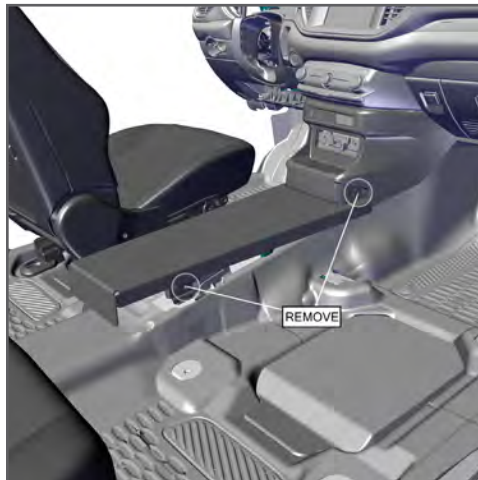
DODGE DURANGO 2021+

Installation Instructions

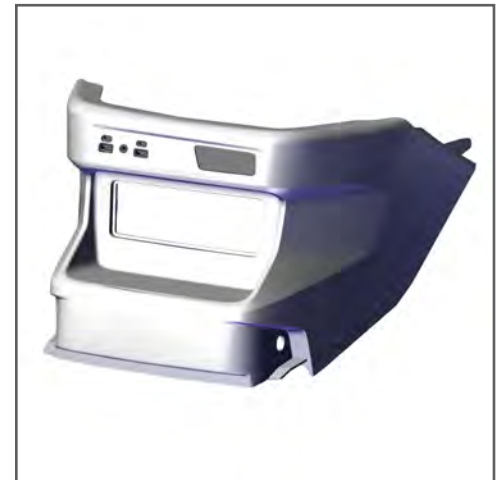
425-6706



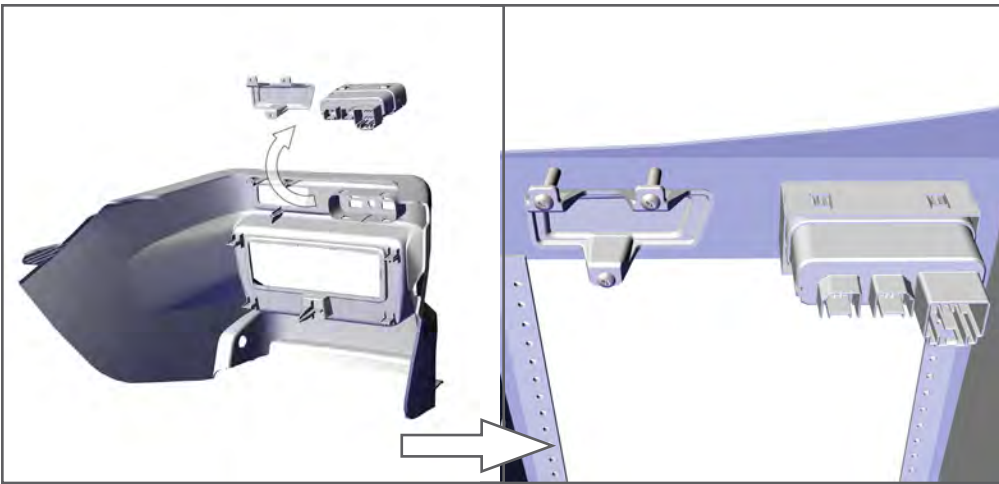
1. Pop loose the trim and remove exposed hardware securing the Manual Park Release (MPR) to the lower Dash Structure.



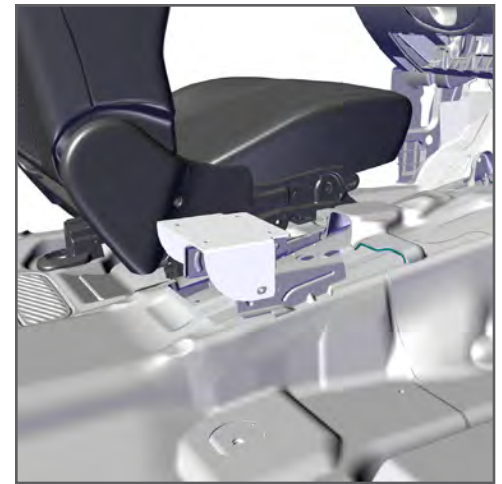
2. Remove (4) OEM bolts and retain for later use. Set OEM Floor Plate aside.



3. Pop loose and remove the lower OEM dash structure from the vehicle. **Set Aside.**



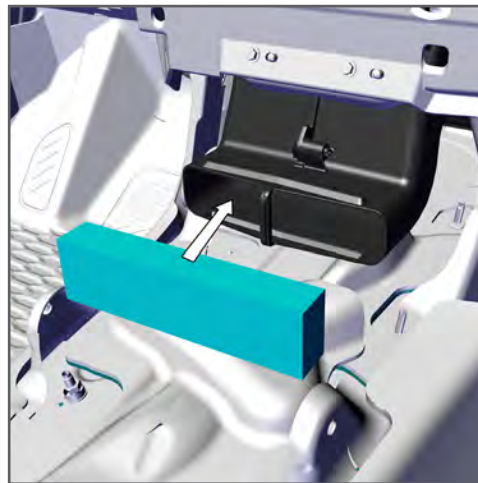
4. Unclip the USB Module and Accessory Blank. Relocate to the DGS/Max Depth Console by snapping the USB into place and secure the Blank with provided hardware.



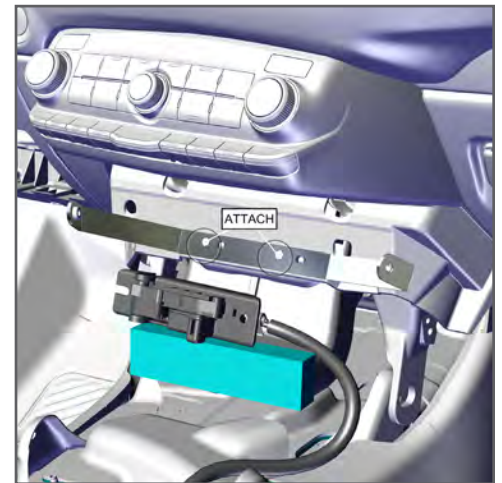
5. Attach the Rear Console Mount Bracket with previously removed OEM hardware to the rear OEM Floor Plate mounting points.



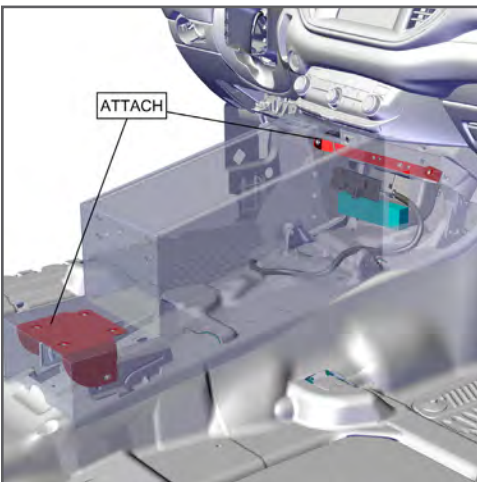
6. Remove the screws attaching the "inside lower trim structure" from the dash. *Set Aside.*



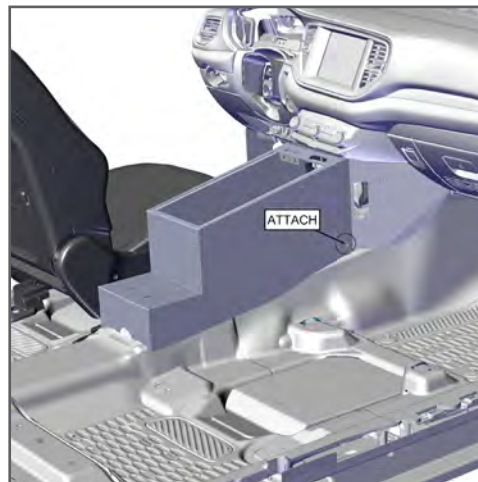
7. Place the HVAC plug into the center air outlet.



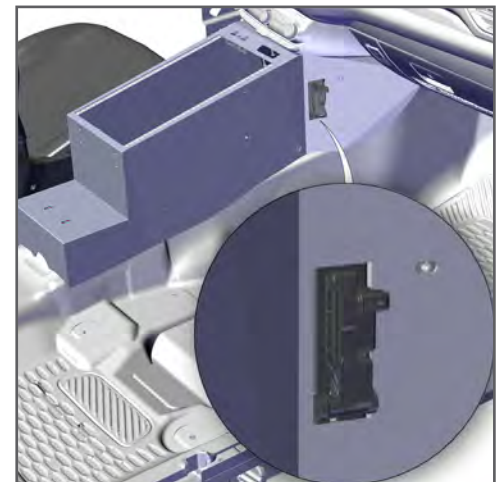
8. Attach the Front Console Mount Bracket with (2) existing OEM dash screws.



9. Place Console into the vehicle. Secure the Rear Mounting Bracket to the Console with previously removed OEM hardware, and the Front Mounting Bracket to the Console with provided hardware.



10. Attach the lower front Driver Side and Passenger Side of the Console with previously removed OEM hardware.



11. Attach the Manual Park Release (MPR) the side of the Console with provided hardware.

If you have questions or need further assistance please call Technical Support: 1.877.455.6886



209 W. EASY ST., ROGERS, AR 72756 • JOTTOPUBLICSAFETY.COM • 10/23

Jotto Desk® is a patented product and Registered Trademark of Assembled Products™ Corporation.
Specifications subject to change without notice.