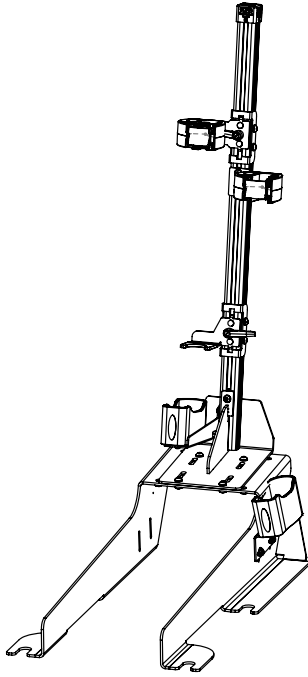




INSTALLATION INSTRUCTIONS GR6-ZRT-AR-BLM-870 CHARGER 11+ 475-2016

INSTALL CONSOLE AFTER GUN RACK INSTALLATION

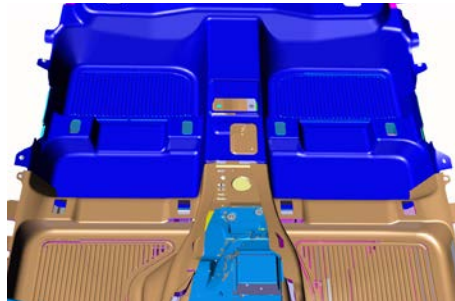


Parts Included:

- Hardware Bag With Necessary Nuts, Bolts, Etc.

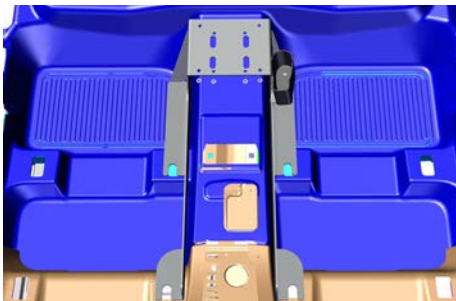


Remove both driver and passenger side front seats using E14 socket. Set seats aside.

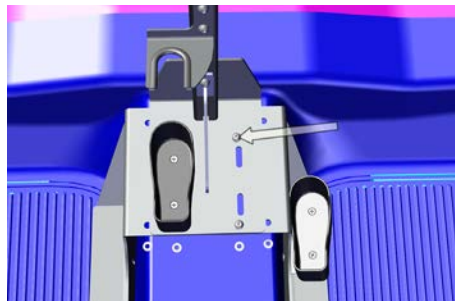


Place GR6 Mounting Plate onto transmission hump on top of inner most seat hole locations.

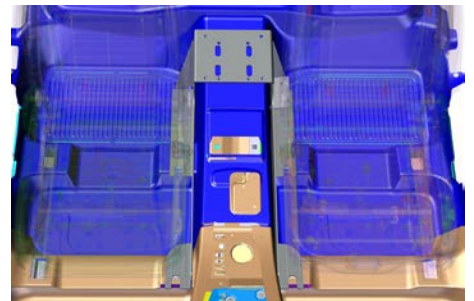
Replace seats into vehicle and finger tighten OEM bolts.



Adjust Mounting Plate to required position. Fully tighten all seat bolts to secure Mounting Plate.



Position weapon mount backbone/frame onto Mounting Plate and secure with the socket button head cap screws. Tighten bolts securely.



Install weapon and check for secure well adjusted fit.

