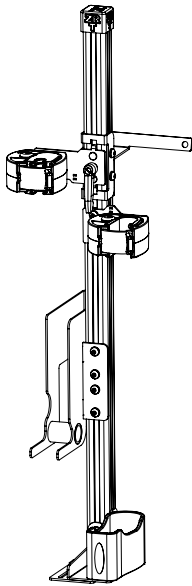




INSTALLATION INSTRUCTIONS VEHICLE PARTITION MOUNTED ZRT AR SECURE GUN RACKS

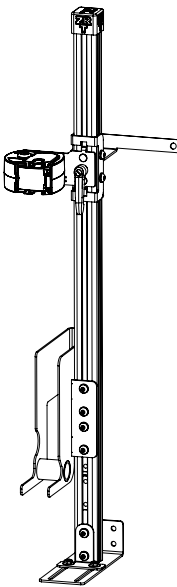
Parts Included:

- Hardware Bag with Upper Partition Mounting Brackets and Necessary Nuts, Bolts, Etc.



475-2052

GR9-ZRT-AR SECURE-BLM-870



475-2053

GR9-ZRT-AR SECURE-BLM

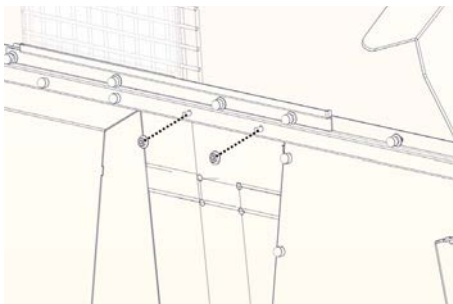
Step 1:



Space Creator
Upper Mount Bracket

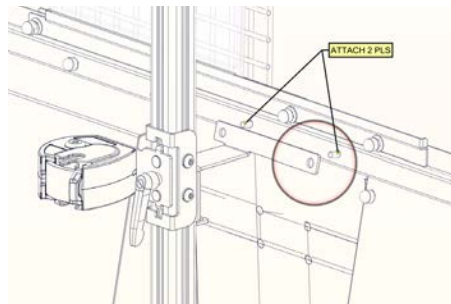
Attach Upper Mount Bracket to extrusion, sliding T-slot retainer into rear slot. Position as shown below and tighten when in correct location.

Step 2:



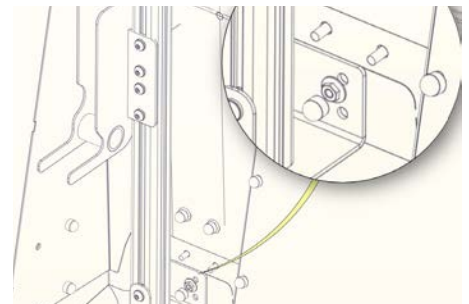
Remove two flange nuts while your helper is holding the carriage bolts in place from the back seat.

Step 3:



Place the gun mount assembly in the recessed area of the partition. Insert the top bracket onto the carriage bolts and secure with previously removed flange nuts.

Step 4:



Attach the lower bracket with the provided carriage bolts and flange nuts. Secure all four mounting points and finish assembly with provided black plastic nut covers.

